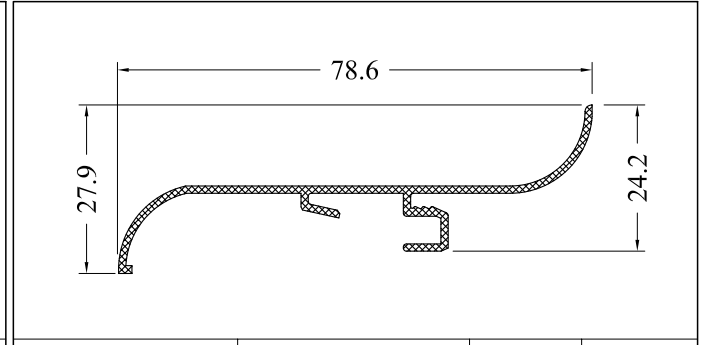


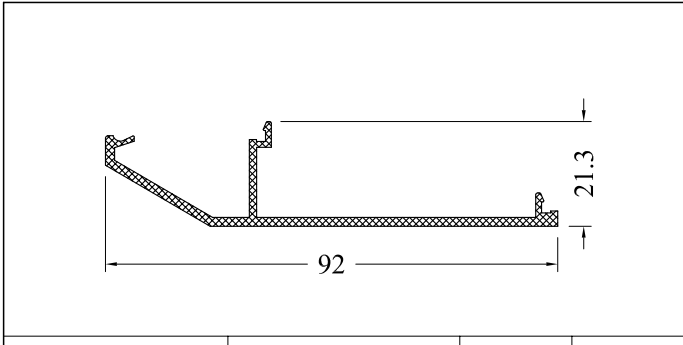
BS - 60

1.485 kg / m



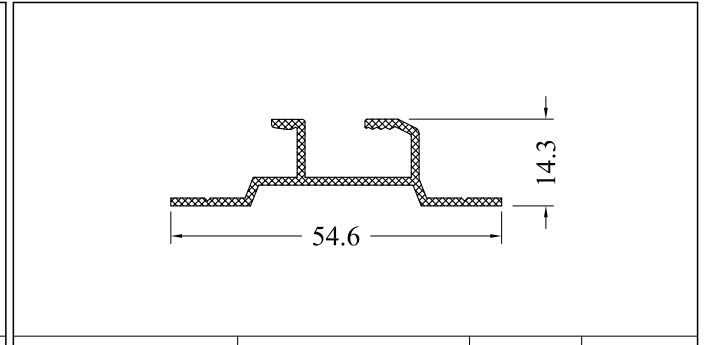
BS - 73

0.406 kg / m



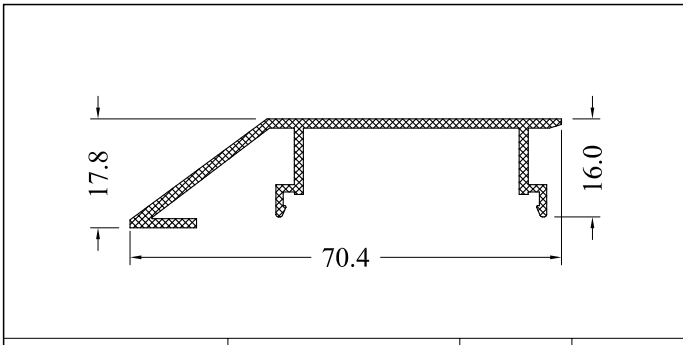
BS - 61

0.612 kg / m



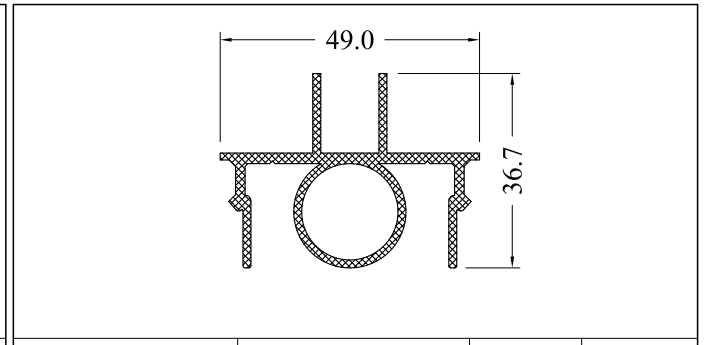
BS - 72

0.317 kg / m



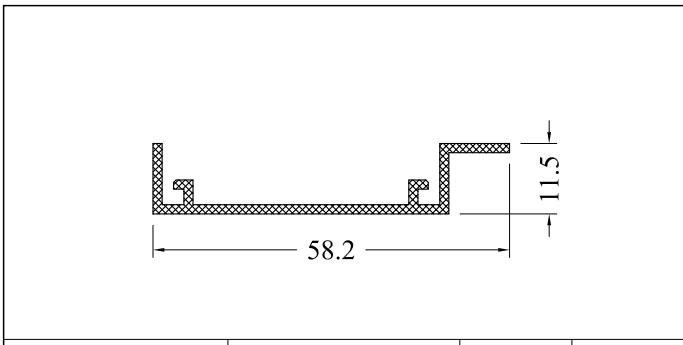
BS - 71

0.485 kg / m



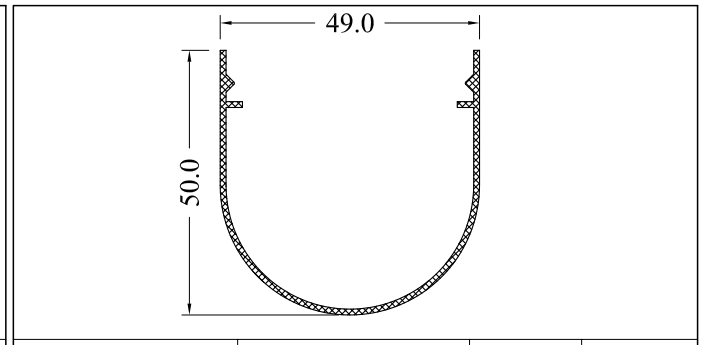
BS - 67

0.802 kg / m



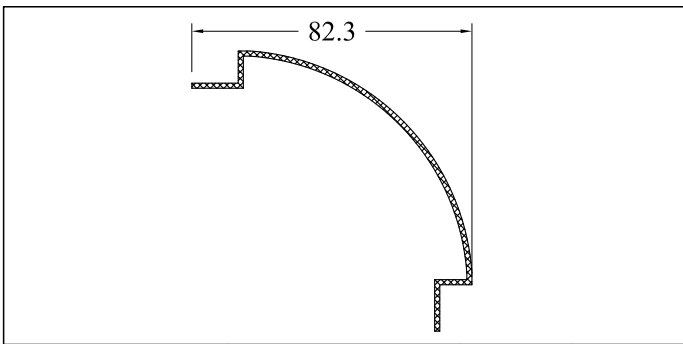
BS - 70

0.363 kg / m



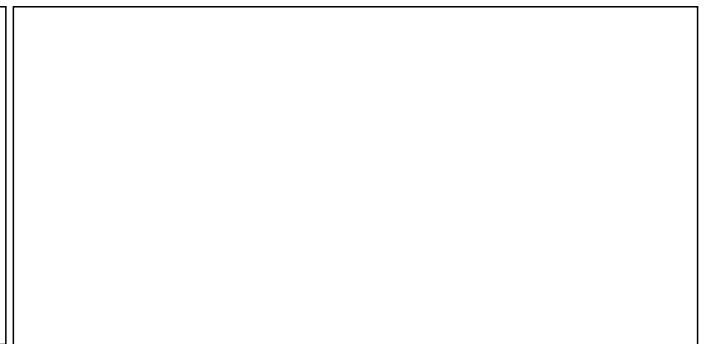
BS - 66 (2195)

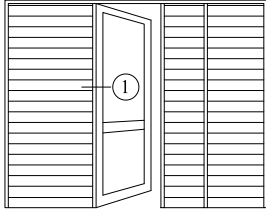
0.409 kg / m



BS - 54

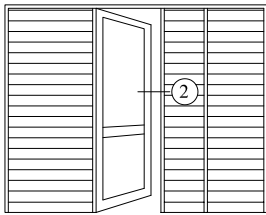
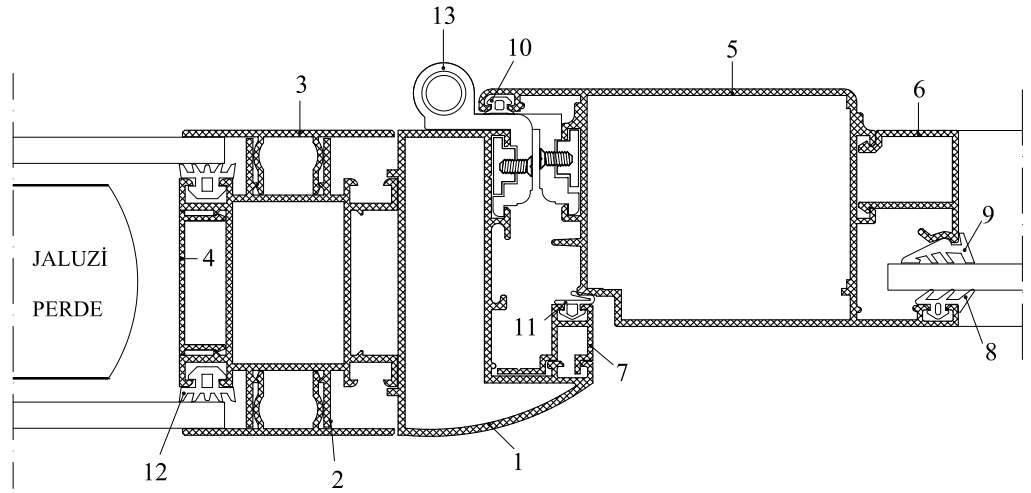
0.620 kg / m





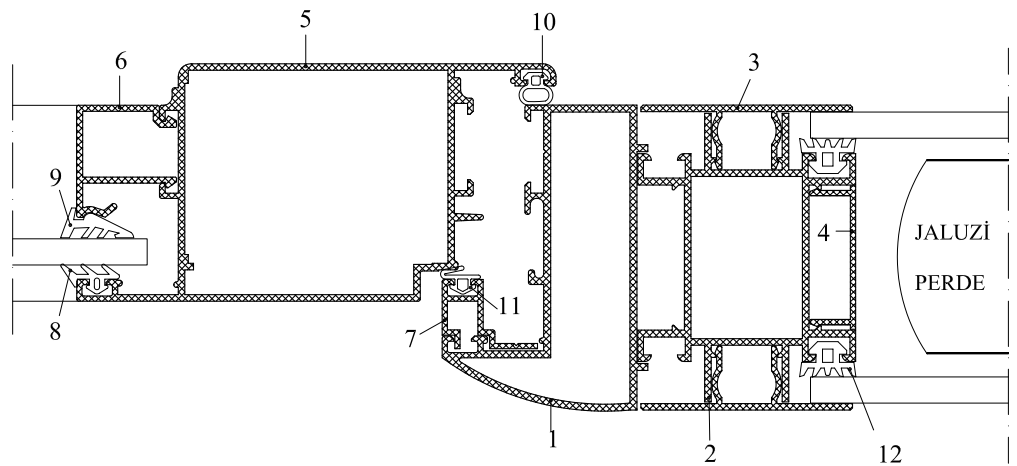
1

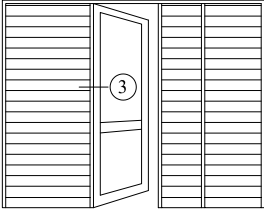
1. BS - 20
2. BS - 01
3. BS - 50
4. BS - 51
5. ES4537-15
6. 5643-14
7. BS - 40
8. SY01 2006
9. SY09 2870
10. SY06 2185
11. SY04 2184
12. GF 20 2871
13. Burak sistem menteşe



2

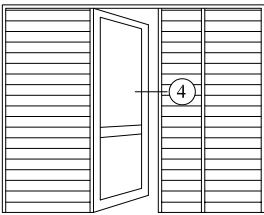
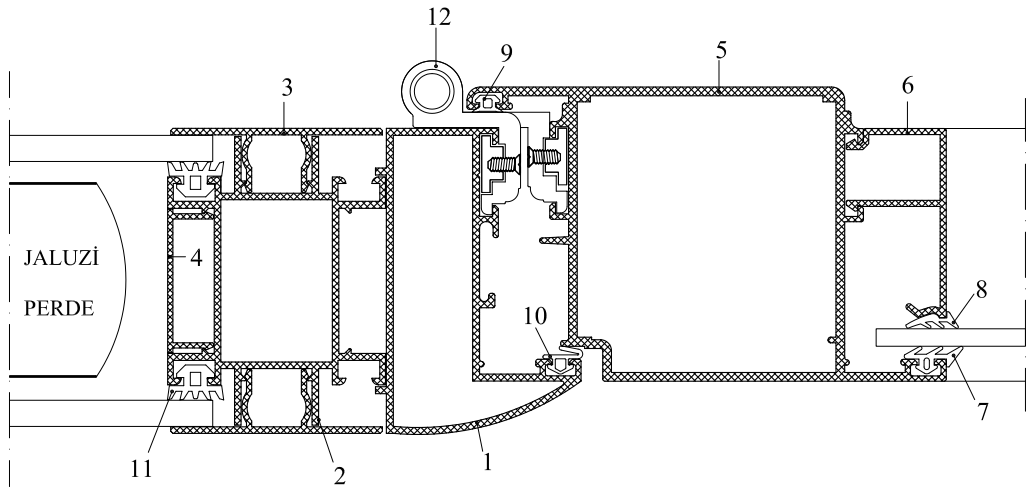
1. BS - 20
2. BS - 01
3. BS - 50
4. BS - 51
5. ES4537-15
6. 5643-14
7. BS - 40
8. SY01 2006
9. SY09 2870
10. SY06 2185
11. SY04 2184
12. GF 20 2871





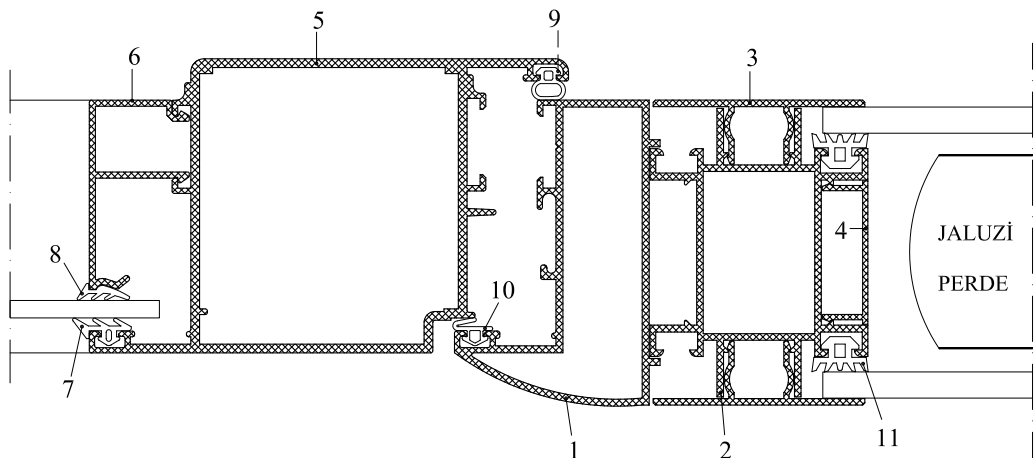
3

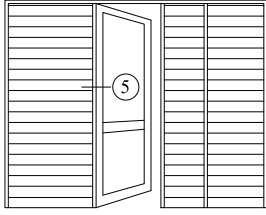
1. BS - 20
2. BS - 01
3. BS - 50
4. BS - 51
5. S5637-20
6. 5647-14
7. BS - 40
8. SY01 2006
9. SY02 2137
10. SY06 2185
11. SY04 2184
12. GF 20 2871
13. Burak sistem menteşe



4

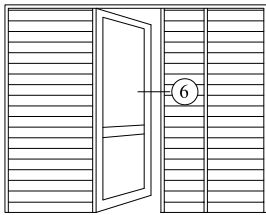
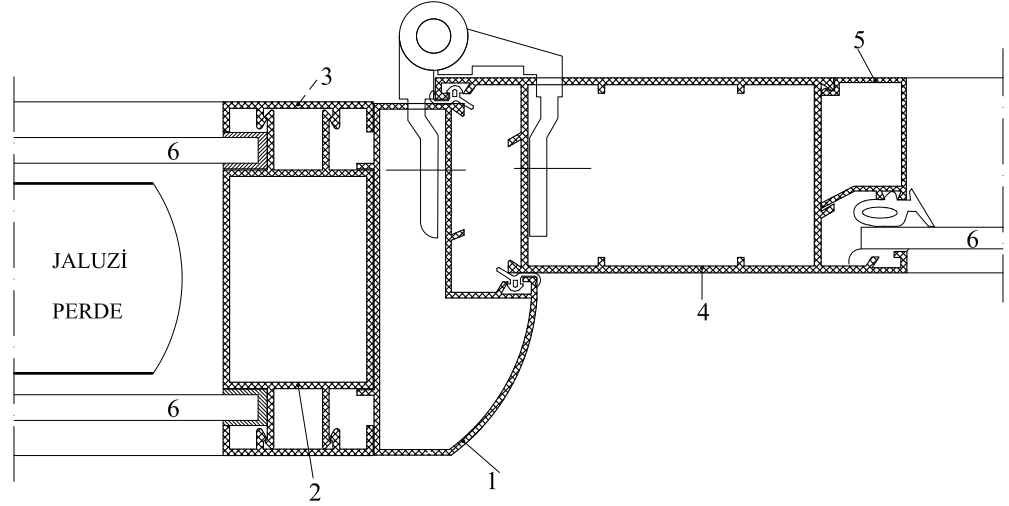
1. BS - 20
2. BS - 01
3. BS - 50
4. BS - 51
5. S5637-20
6. 5647-14
7. SY01 2006
8. SY02 2137
9. SY06 2185
10. SY04 2184
11. GF 20 2871





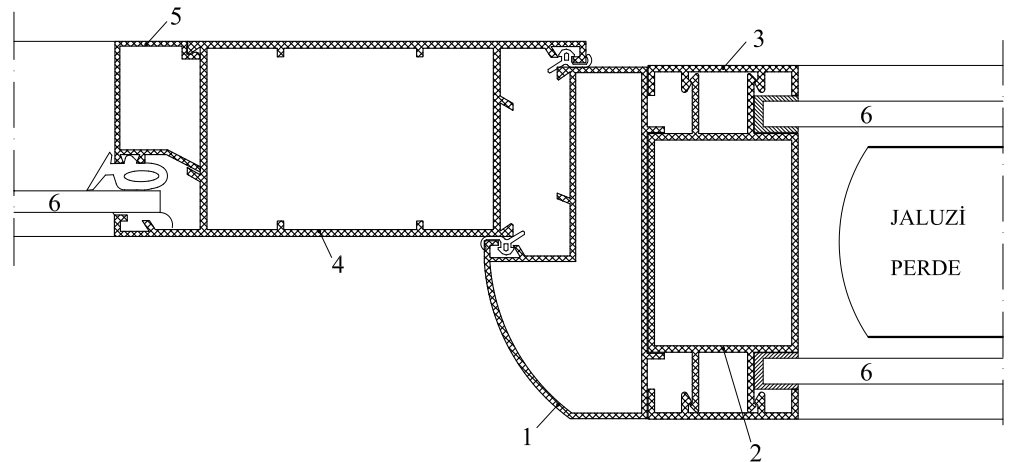
5

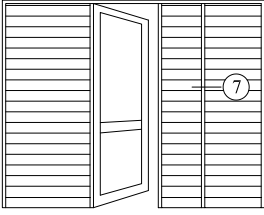
1. 4962-13
2. 4124-15
3. 4125-15
4. 1027-14
5. 1002-12



6

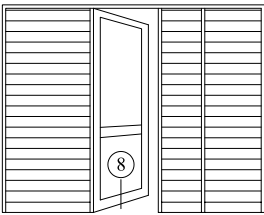
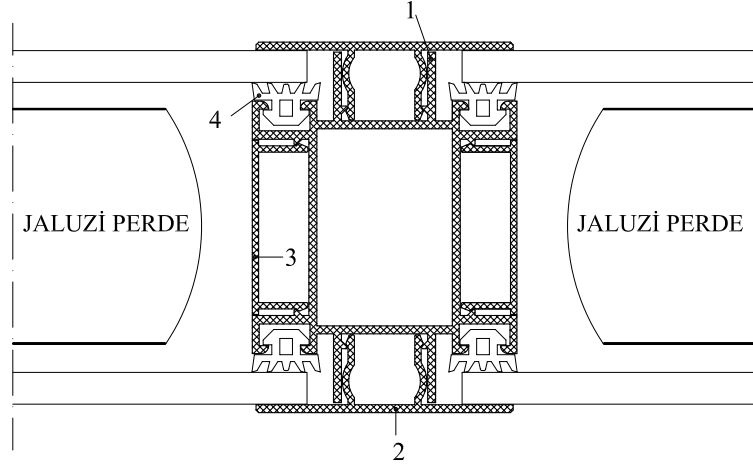
1. 4962-13
2. 4124-15
3. 4125-15
4. 1027-14
5. 1002-12





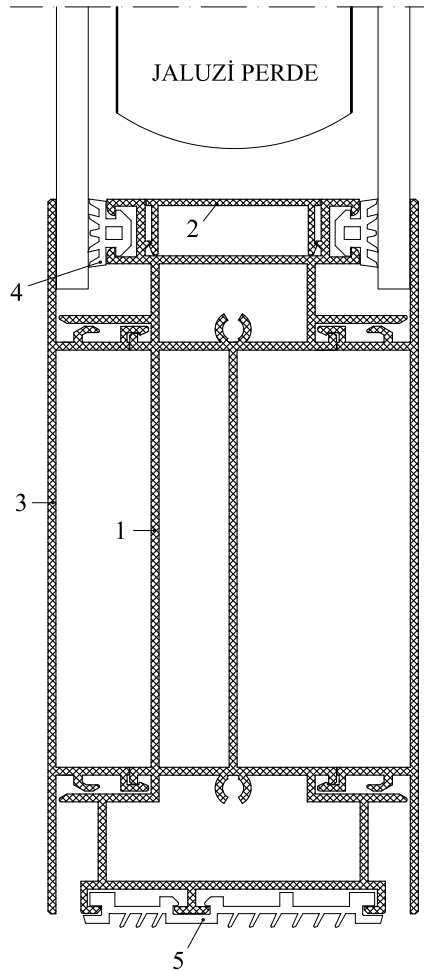
7

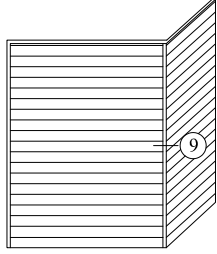
- 1. BS - 01
- 2. BS - 50
- 3. BS - 51
- 4. GF 20 2871



8

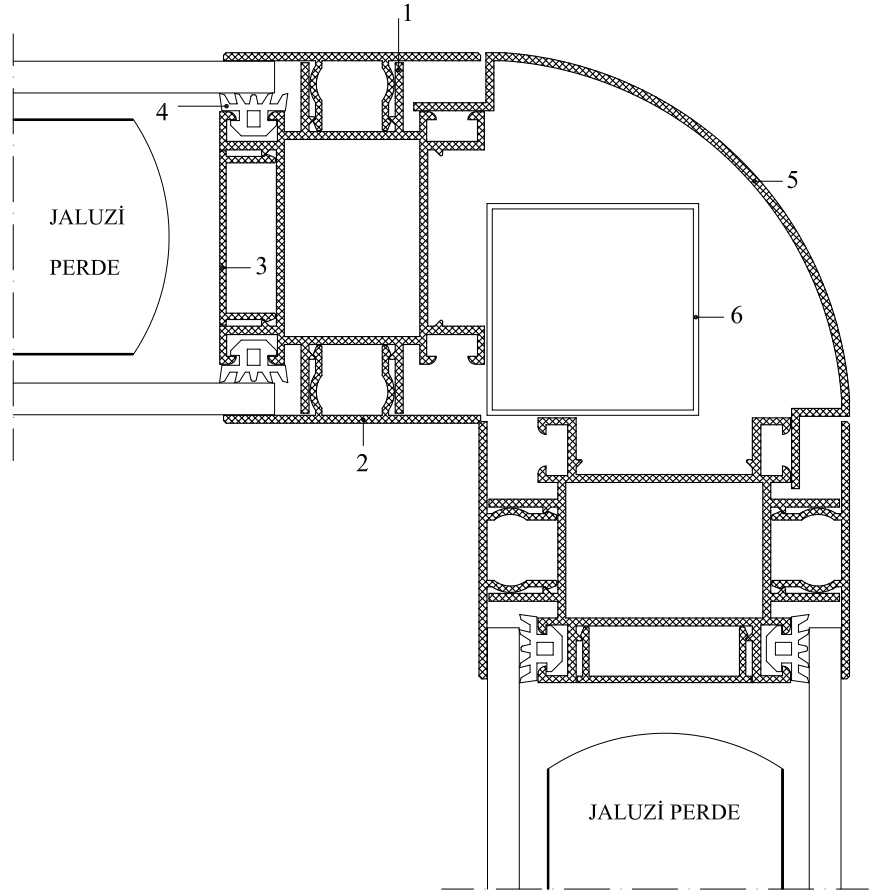
- 1. BS - 11
- 2. BS - 51
- 3. BS - 53
- 4. GF 20 2871
- 5. SY23 4016

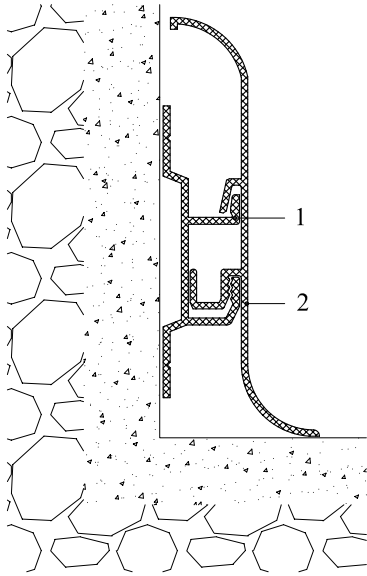




9

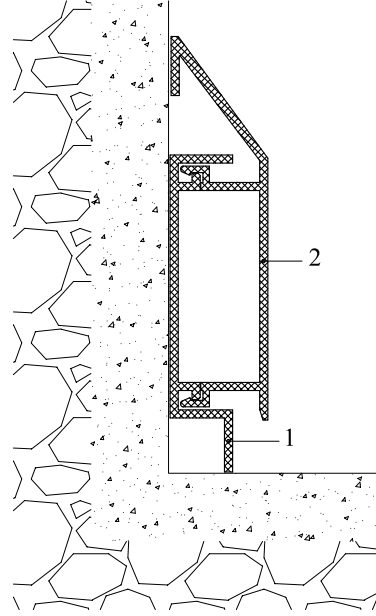
- 1. BS - 01
- 2. BS - 50
- 3. BS - 51
- 4. GF 20 2871
- 5. BS - 54
- 6. 1802 kutu
(40 x 40 - 1.1)





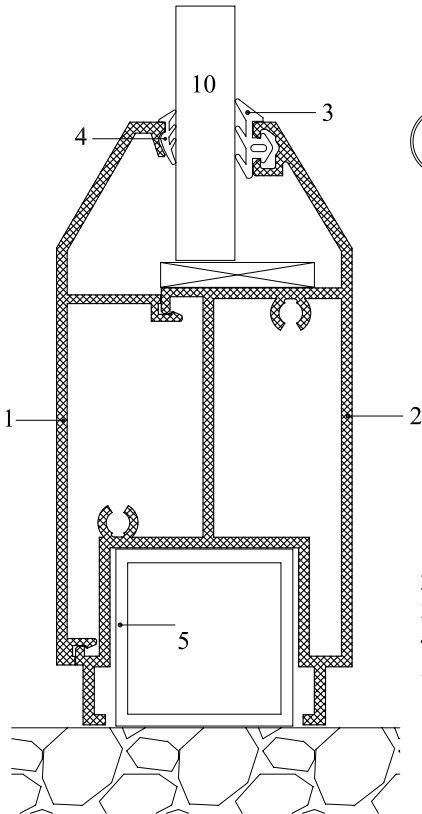
10

1. BS - 72
2. BS - 73



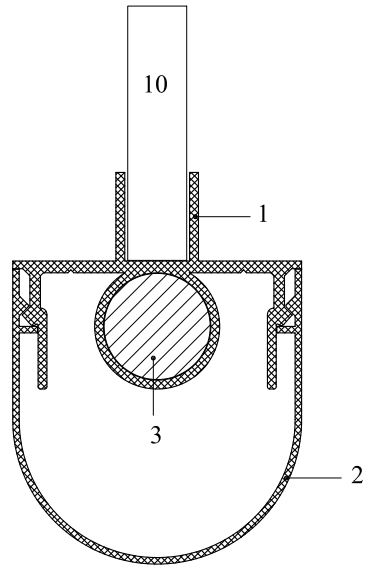
11

1. BS - 71
2. BS - 70



12

1. BS - 61
2. BS - 60
3. SY01 2006
4. SY02 2137
5. 1822 - 2.0 kutu
(30 x 30 x 2.0)



13

1. BS - 67
2. BS - 66 (2195)
3. 18 mm
traspisyon çeliği

1. BS - 67
2. BS - 66 (2195)
3. 18 mm traspisyon çeliği

